

Electric Stock Tractor



Model:
QDD25R

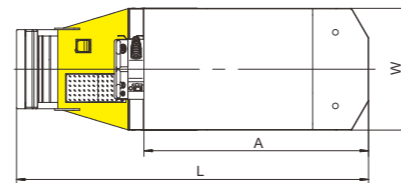
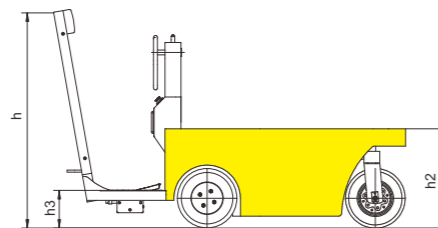
QDD25R Stock Tractor is featuring a 264x181mm/10.4x7.1inch cargo deck and 2200kgs/4840lbs towing capacity, which is built to work its way through the narrow aisles place ,widely used in factory, dock and warehouse .

Advantages:

- Small & exquisite figure, low noise, environmentally friendly.
- Narrow body of small turning radius, especially suitable for narrow aisle.
- Available with optional ladder on the back for picking orders from the second and third shelf level. 4 step ladder and 6 step ladder allows operator to pick up goods from high places quickly and easily .
- With rubber mat in the front compartment, avoid hitting the knee of operator during operation.
- The single pedal for accelerator and brake ,safety and easy to operate .
- The ergonomics steering console is easily for operator to place packages from the shelves to the platform without interference from the console or the steering wheel.
- With H type driving axle, makes truck operation in high stability; and it is easy and convenient for the replacement and maintenance of the driving wheel.
- Combining hand brake with foot brake, which improves the safety performance of the truck.
- Side-way battery (Optional).

1KG=2.205LB 1INCH=25.40MM

MODEL	QDD25R	
Drive type	battery	
Operate type	standing	
Rated traction weight	kg/lbs	2200/4840
Length	L(mm /inch)	2224/88
Width	W(mm /inch)	770/30.3
Backrest height	h(mm /inch)	1385/54.5
Ladder height (max)	h(mm /inch)	2815/111
Pedal height	h(mm /inch)	238/9.4
Height of deck	h(mm /inch)	627/24.7
Deck size	AxW(mm /inch)	1420x770/56x30.3
Turning radius	Wa(mm /inch)	1280/50.4
Travel speed, unladen/laden	kw/h	12/7
Wheels,number front rear(x=driven wheels)	1/2x	
Tyre size front/rear	15x4½-8	
Load capacity	kg/lbs	450/990
Battery voltage/nominal capacity	V/Ah	24/210
Service weight	kg/lbs	560/1235



Tow Tractor



Model:
QDD25W

Special for textile factory



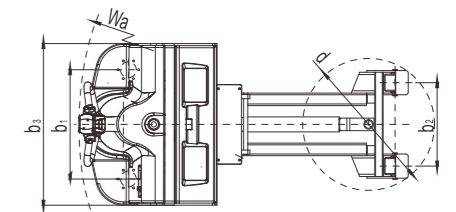
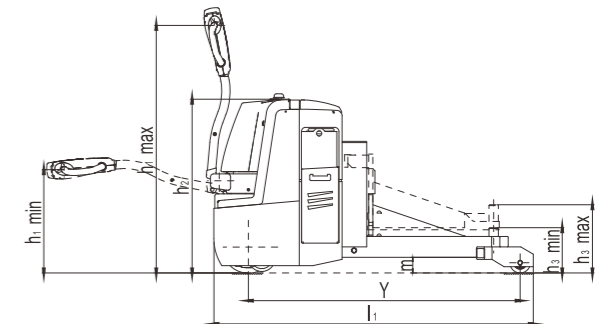
Optional platform



Regenerative braking reduces the attrition.

1KG=2.205LB 1INCH=25.40MM

Model	QDD25W	
Drive type	battery	
Operate type	pedestrian	
Load capacity	Kg	2500
Max. rated tractive force	N	750
Tyre size, front	mm	250x70
Tyre size, rear	mm	98x82
Wheels,number front rear (x=driven wheels)	1X+2/2	
Height of tiller in drive position min./max	h1 (mm)	495/1185
Overall length	l1 (mm)	1532
Overall width	b3 (mm)	775
Overall height	h2 (mm)	833
Drawbar pull min/max height	h3 (mm)	217/327
Turning radius	Wa (mm)	1515
Minimum turning diameter	d (mm)	632
Travel speed, laden/ unladen	Km/h	4.5/5
Battery voltage/nominal capacity	V/Ah	24/165
Battery weight	kg	175
Service weight (with battery)	kg	580



Model:
QDD45H

AC

EPS

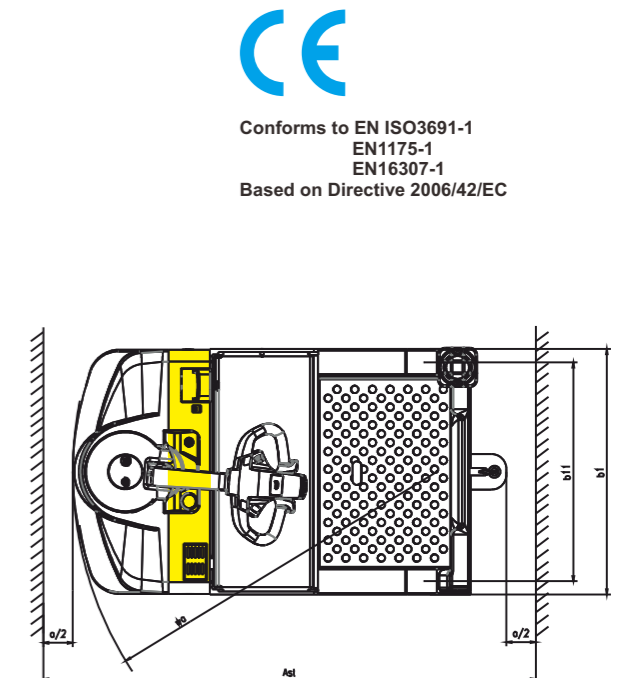
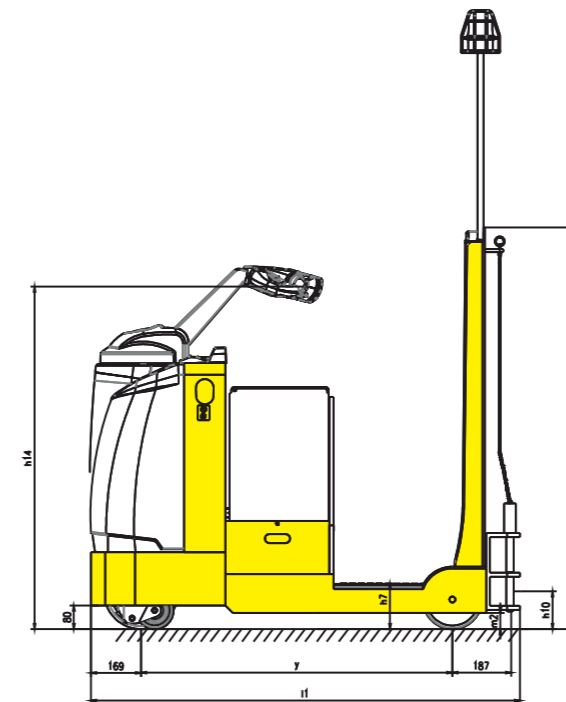
Advantages:

- Easy operation and flexible steering, safe and reliable.
- With powerful traction, when the traction weight reaches 2000kg/4400lbs, can climb 8% slope maximum.
- Shock-proof and non-slip pedal reversible cushions in the back, reduce fatigue and ergonomic.
- The automatic power-off function works when the driver leaves the truck.
- Speed mode: manual, stepless speed.
- Equipped with warning lights.
- Sideway battery easy for replacement.



1KG=2.205LB 1INCH=25.40MM

MODEL	QDD45H	
Drive type	electric	
Operate type	standing	
Load capacity	Q(kg/lbs)	4500/9900
Max. rated tractive force	(N)	3000
Drawbar center height	H10(mm/inch)	128/5
Axle loading, laden front/rear	kg/lbs	560/440(1233/969)
Axle loading, unladen front/rear	kg/lbs	580/420(1277/925)
Tyre size, front	mm/inch	φ 250x80/10x3.1
Tyre size, rear	mm/inch	φ 200x50/8x2
Additional wheels (dimensions)	mm/inch	φ 127x57/5x2.2
Wheels, number front rear(x=driven wheels)	1X+2/2	
Height of tiller in drive position min./max.	h14(mm/inch)	1070/1370(42/54)
Overall length	l1(mm/inch)	1450/57
Overall width	b1(mm/inch)	830/32.7
Aisle width	Ast(mm/inch)	1670/66
Turning radius	Wa(mm/inch)	1235/49
Travel speed, laden/unladen	Km/h	9/14
Battery voltage, nominal capacity K5	V/Ah	24/560
Battery weight	Kg/lbs	559/1232
Batteries dimentions(LxWxH)	mm/inch	780x335x625/30.7x13.2x24.6
Service weight (with battery)	kg/lbs	1000/2200



Conforms to EN ISO3691-1
EN1175-1
EN16307-1
Based on Directive 2006/42/EC

Model:
QDD20H
QDD30H

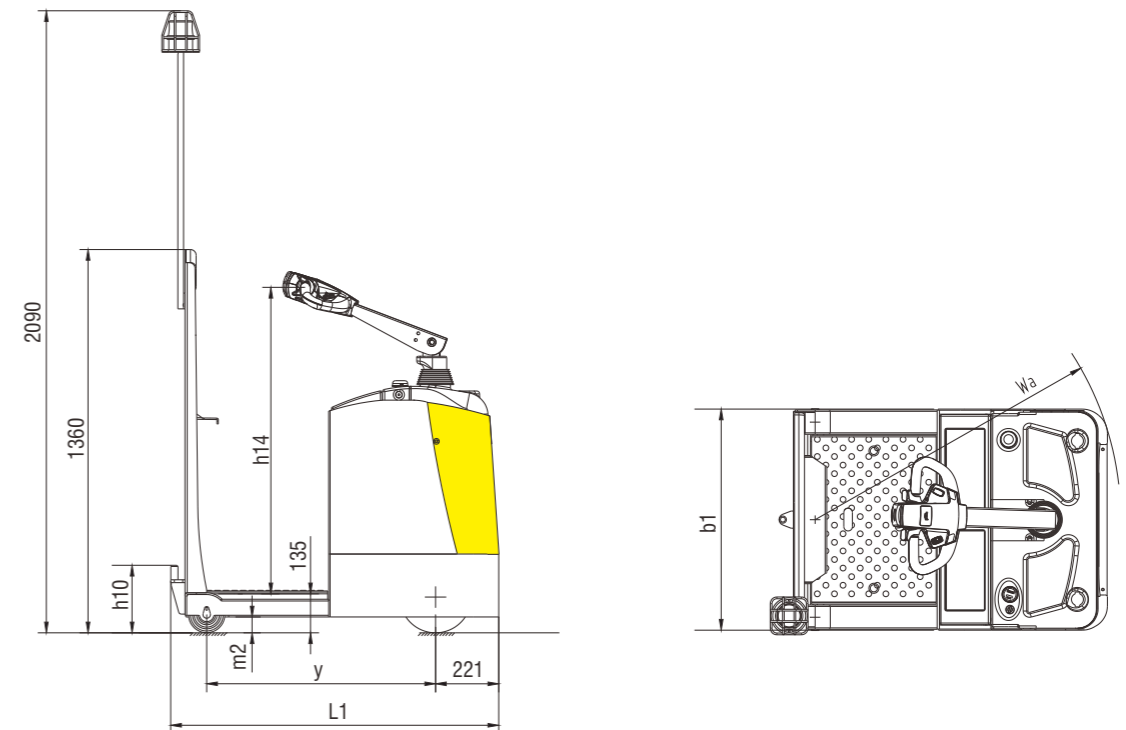
Features:

- Smoothly steering system is easy operation , flexibly and more safely.
- With powerfull drive motor , great gradeability can reach 8% with full towing cap. 2000kg.
- Standing driving , floor is No-slip with anti-vibration function, back rest with reversible cushions, reduce fatigue, back cushion height can be adjustable according to the driver's height .
- Deadman brake service
- Stepless speed control
- With warning light
- Sideway battery
- Built-in Charger



1KG=2.205LB 1INCH=25.40MM

MODEL		QDD20H	QDD30H
Drive type		electric	electric
Operate type		standing	standing
Load capacity	Q(kg/lbs)	2000/4409	3000/6614
Max. rated tractive force	(N)	2000	2500
Drawbar center height	H10(mm/inch)	280/11	280/11
Axle loading, laden front/rear	kg/lbs	360/160 (794/353)	385/175 (849/386)
Axle loading, unladen front/rear	kg/lbs	380/140 (838/309)	405/155 (893/342)
Tyre size, front	mm/inch	φ 250x70/10x2.75	φ 250x70/10x2.75
Tyre size, rear	mm/inch	φ 200x50/8x2	φ 200x50/8x2
Wheels, number front rear(x=driven wheels)		1X+2	1X+2
Height of tiller in drive position min./max.	h14(mm/inch)	1010/1350 (39.76/53.1)	1010/1350 (39.76/53.1)
Overall length	l1(mm/inch)	1273/50	1273/50
Overall width	b1(mm/inch)	773/30.4	773/30.4
Aisle width	Ast(mm/inch)	1473/58	1473/58
Turning radius	Wa(mm/inch)	1070/42.1	1070/42.1
Travel speed, laden/unladen	Km/h	7/7.1	6.5/7.1
Battery voltage, nominal capacity K5	V/Ah	24/210	24/240
Battery weight	Kg/lbs	196/432	240/529
Batteries dimentions(LxWxH)	mm/inch	750x170x534/29.5x6.7x21	750x170x570/29.5x6.7x22.4
Service weight (with battery)	kg/lbs	520/1146	560/1235



Advantages:

- "H" type axle design gives a good stability.
- Batteries located in the lowest part of frame, low center of gravity ensures excellent stability.
- Multi-function display: battery status, hour meter, error code etc.
- The application of hand brake and hydraulic brake improve the safety level.
- Easy-open back cover to open for maintenance and replacement of parts such as drive wheel, oil tube, accelerator, controller etc.



OPTION:

- Seat with OPS(operator presence system)
- Front LED work lamp
- Blue light
- AC power system
- Rear mirrors



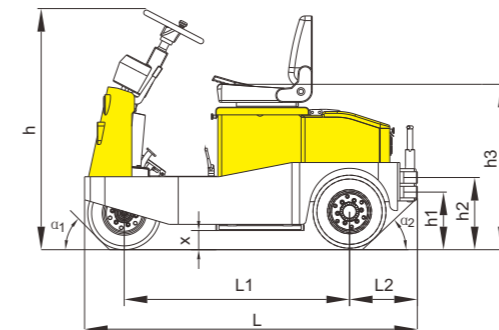
Adjustable steering column with electric F/R lever.



Option of rear mirrors

Large capacity batteries located in the lowest part of frame, offers low centre of gravity.

Model		QDD20	QDD30
Drive type		battery	battery
Rated traction weight(60 minutes rated)	kg	2000	3000
Drawbar center height	h1/h2(mm)	280/350	280/350
Weight	kg	1030	1080
Axle loading, front	kg	380	430
Axle loading, rear	kg	650	680
Tyre number front/rear	X= Driven wheels	1/2X	1/2X
Tyre size, front	solid rubber	15*4½-8	15*4½-8
Tyre size, rear	solid rubber	15*4½-8	15*4½-8
Wheel base	L1(mm)	1170	1170
Rear hanging distance	L2(mm)	350	350
Seat height	h3(mm)	850	850
Overall length	L (mm)	1720	1720
Overall width	W(mm)	970	970
Overall height	h (mm)	1250	1250
Min. ground height	X (mm)	90	90
Min. turning radius	Wa (mm)	1520	1520
Travel speed (laden/unladen)	km/h	8	7
Max. gradeability (laden/unladen)		6/15	6/15
Battery voltage, nominal capacity K5	V/Ah	48/240	48/270
Battery weight	kg	450	500
Traction bolt		Traction bolt	Traction bolt



- Cargo loading platform are available in different size as customer special requirements.

Technical parameters of trailer

Model
Capacity
Weight
Platform height
Outline dimension(L x W x H)
Platform size
Wheel dimension
Drawbar height
Min. ground clearance
Tractor model for choice

Model:
QDD20E
QDD30E



Advantages:

- New advanced car outline, completely opened cover, distinguished and beautiful.
- Full AC electric system has brake-releasing function, more easy and comfortable to operate; Maintenance-free motor completely solves the problem of DC motor carbon brush.
- New large-screen display instrument provides all kinds of information more clearly and directly for the operator.
- New opened high-range steering design, light to steering and easy to maintain.
- The parking brake adopts electromagnetic brake. It locks the truck automatically after parking, which avoids the sliding danger of the truck caused by forgetting to use the hand brake.
- Side-way battery (Optional).

AC

OPTION:

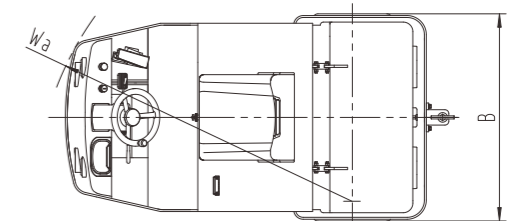
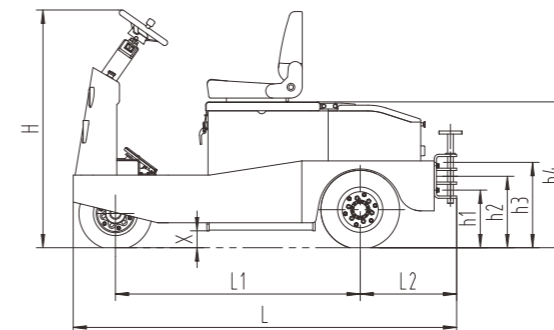
- Seat with OPS(operator presence system)
- Front LED work lamp
- Blue light
- AC power system
- Rear mirrors

Model:
QDD50
QDD60



1KG=2.205LB 1INCH=25.40MM

Model		QDD20E(AC)	QDD30E(AC)	QDD50(AC)	QDD60(AC)
Drive type		battery	battery	battery	battery
Rated traction weight(60 minutes rated)	kg	2000	3000	5000	6000
Drawbar center height	h1/h2(mm)	280/350	280/350	280/350	280/350
Weight	kg	740	780	1240	1280
Axle loading, front	kg	300	310	410	450
Axle loading, rear	kg	440	470	830	830
Tyre number front/rear	X=Driven wheels	1/2x	1/2x	1/2X	1/2X
Tyre size, front	solid rubber	15*4½-8	15*4½-8	15*4½-8	15*4½-8
Tyre size, rear	solid rubber	15*4½-8	15*4½-8	4.00-8	4.00-8
Wheel base	L1(mm)	1055	1055	1280	1280
Rear hanging distance	L2(mm)	382	382	500	450
Seat height	h3(mm)	910	910	910	910
Overall length	L (mm)	1720	1720	1975	1940
Overall width	W(mm)	968	968	1100	1100
Overall height	h (mm)	1270	1270	1250	1250
Min. ground height	X (mm)	90	90	90	100
Min. turning radius	Wa (mm)	1500	1500	1650	1650
Travel speed (laden/unladen)	km/h	7/10	6.5	8/14	7/14
Max. gradeability (laden/unladen)		7/12	7/12	6/15	6/15
Battery voltage, nominal capacity K5	V/Ah	36/200	36/250	48/360	48/400
Battery weight	kg	200	250	610	610
Traction bolt		Traction bolt	Traction bolt	Traction bolt	Traction bolt



Multi function display



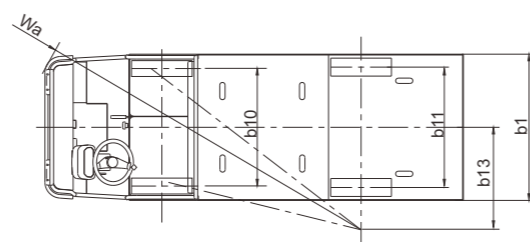
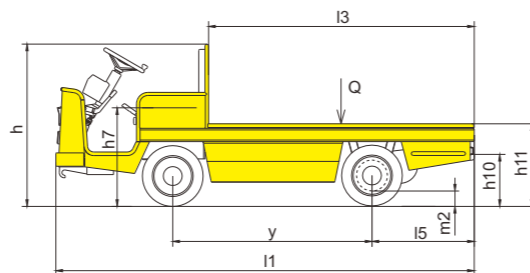
Steering wheel adjustable

Model: BD20/25/30



1KG=2.205LB 1INCH=25.40MM

Model		BD20	BD25	BD30
Drive type		battery	battery	battery
Load capacity	Q(kg)	2000	2500	3000
Axle loading, laden front/rear	kg	1104/2346	975/2825	1660/3090
Axle loading, unladen front/rear	kg	676/774	590/710	865/885
Tyre size, front		6.00-9-10PR	16x5x10 ¹ / ₂	6.00-9-10PR
Tyre size, rear		6.50-10-12PR	18x5x12 ¹ / ₂	6.50-10-12PR
Std. Tyre		pneumatic	solid	pneumatic
Wheels, number front rear(x=driven wheels)		2/2x	2/2x	2/2x
Seat height/stand height	h(mm)	800	770	820
Coupling height	h ₀ (mm)	500	400	550
Loading height, unladen	h ₁ (mm)	740	620	760
Length of loading surface	l(mm)	2000	2000	2240
Overhang	l ₁ (mm)	630	770	630
Width of loading surface	b(mm)	1250	1100	1400
Overall length	l(mm)	3200	3150	3440
Overall width	b ₀ /b ₁ (mm)	1250	1100	1400
Turning radius	W(mm)	3250	2900	3580
Internal turning radius	b ₂ (mm)	1400	1040	1500
Travel speed, laden/unladen	Km/h	11/13	9/12	11/13
Battery voltage, nominal capacity K5	V/Ah	48/330	48/250	48/395
Battery weight	Kg	662	430	774
Battery dimensions l/w/h	mm	740x426x505	740x426x390	740x426x505
Service weight (with battery)	Kg	1450	1300	1750



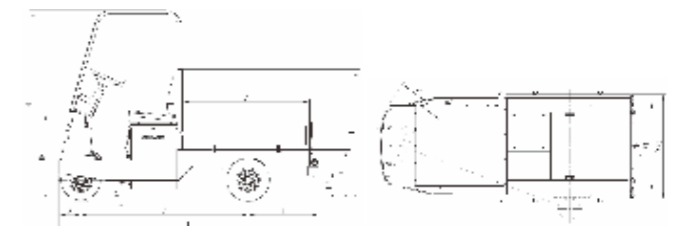
Model: BD10S/15S

Remark: Special size can be made according to customer's requirement.



1KG=2.205LB 1INCH=25.40MM

Model		BD10S	BD15S
Drive type		battery	battery
Load capacity	Q(kg)	1000	1500
Tyre size, front		15x4 ¹ / ₂ -8	15x4 ¹ / ₂ -8
Tyre size rear		15x4 ¹ / ₂ -8	4.00-8
Length of loading surface	L1(mm)	1220	1220
Width of loading surface	W(mm)	1000	1000
Loading height, unladen	H2(mm)	460	480
towing height	H3(mm)	260	280
Seat height/stand height	H4(mm)	835	835
Overall length	L(mm)	2485	2485
Overall width	B(mm)	1000	1000
height (standard)	H(mm)	1800	1810
height (with cabin)	H1(mm)	1240	1250
Turning radius	Wa(mm)	1998	1998
Travel speed, laden/unladen	Km/h	12/13	10/13
Battery voltage, nominal capacity K5	V/Ah	48/240	48/270
Battery weight	kg	350	400
Service weight (with battery)	kg	980	1080



Electric Cart



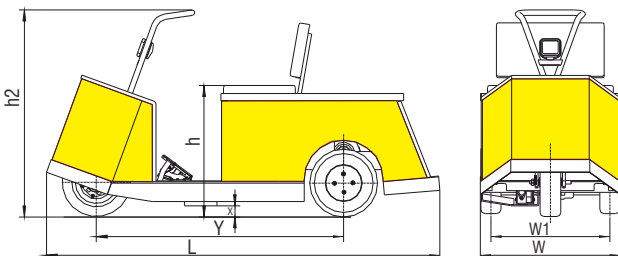
Model:
BD05



Designed for versatile application, with tough and dependable solution. Provide transportation for executive, supervisors, security and other workers whose job keeps them on the go .

Advantages:

- Combining personnel carrier to burden carrier in one truck. With carry capacity of two people or 300kgs (660lbs) of load on the job site .
- Truck body is with steel welded structures, the unitized body and frame prolong the using time .
- With small body easy to operate, driver won't feel tired after operating for a long time.
- With ergonomics bucket seat with disassembled back rest, it is comfortable and convenient for two people use.
- Multi-function display with BDI , hour meter, fault code .
- Adopt DC motor with perfect performance.



1KG=2.205LB 1INCH=25.40MM

Model	BD05	
Drive type	battery	
Load capacity	Q(kg/lbs)	500/1100
Rated traction weight	kg/lbs	1000/2200
Travel speed(unladen/laden)	Km/h	14/8
Unladen onward distance	Km	32
Service weight(with battery)	kg/lbs	470/1036
Tyre size	15x4 1/2-8	
Wheel number,front/rear(X=driven wheels)	1/2X	
Operating handle height	h(mm /inch)	1150/45
Seat height	h(mm /inch)	730/28.7
Overall length	L(mm /inch)	2190/86
Overall width	W(mm /inch)	780/30.7
Min.ground height	X(mm /inch)	63/2.5
Turning radius	Wa(mm /inch)	1850/73
Battery voltage/Nominal capacity	V/Ah	24/210
Battery weight	kg/lbs	96/212

Electric Pallet Truck

Electric Stackers

Order Picker

Narrow Aisle Truck

Electric Tow Tractor

Hand Pallet Truck

Manual Stackers

Lift Table