

LEISTER

PROCESS HEAT

Hot air blower
HOTWIND PREMIUM
HOTWIND SYSTEM



The new HOTWIND PREMIUM and HOTWIND SYSTEM from Leister

The new HOTWIND PREMIUM is the successor to the hugely popular HOTWIND S. Its brushless motor ensures that this hot air blower has a long service life. The maximum air volume can now be set infinitely up to 900 l/min via the potentiometer.

The wide range of applications makes the new HOTWIND SYSTEM truly impressive: be it as a unit with integrated control or as a unit for integration in a closed loop control circuit using a system interface.

Advantages



1		Infinitely adjustable: Potentiometers for stepless adjustment of the heating and blower (PREMIUM and SYSTEM).
2		Remote controlled: Interface with alarm contact in the HOTWIND SYSTEM for controlling the air volume and heat output, using 4 – 20 [mA] or 0 – 10 [V] signal.
3		Integrated: Temperature probe in the HOTWIND SYSTEM for even greater precision.
4		User friendly: Display on the HOTWIND SYSTEM provides the user with status information.
5		Cleverly combined: Main switch with integral function button for programming (SYSTEM).
6		Cool: The unit is automatically cooled prior to switching off by pressing the function button.

Technical features

	PREMIUM	SYSTEM
Heat output and air volume steplessly adjustable with potentiometer	•	•
Integrated power electronics	•	•
Protection against heating element or device overheating	•	•
Brushless blower motor	•	•
Alarm output		•
Integrated temperature control		•
Remote control interface for temperature or power set point		•
Remote control interface for air volume adjustment		•
Integrated temperature probe		•
Display for showing the setpoint and actual values (°C or °F)		•



HOTWIND SYSTEM with wide slot nozzle integrated in a blow-off application.



HOTWIND SYSTEM as hot air provider in a shrinking process.

Technical data

Voltage	V~	120	230	230	230	230	230	400
Power consumption	W	2300	2300	2300	3100	3700	3700	5400
Frequency	Hz	50/60						
Max. air outlet temperature	°C	650	650	650	800	650	650	650
Max. air flow (20 °C)	l/min.	200 – 900						
Static pressure	Pa	500						
Noise emission	L _{pA} (dB)	< 70						
Weight without cable	kg	2.6						
Measure		see below						
Mark of conformity		CE						
Certification scheme		CCA						
Protection classe II		□						
Without connecting plug		•		•			•	•
Connecting plug (Euro)			•		•	•		
Art. No. PREMIUM		140.095	142.612	142.643	142.608	142.609	140.098	follows
Art. No. SYSTEM		142.636	142.646	140.096		142.645	142.640	follows

Subject to change without notice
Connection voltage non-switchable

Additional versions on request

Accessories HOTWIND

107.262



Wide slot nozzle, push-fit, 300 × 4 mm
(Other sizes available)

105.919



Tubular nozzle, push-fit, 456 × 306 × 3 mm
(Other sizes available)

107.329



Sieve reflector, push-fit, 76 × 75 mm
(Other sizes available)

106.174



Shell reflector, push-fit, 400 × 65 mm
(Other sizes available)

107.245



Round nozzle, push-fit, Ø 40 mm
(Other sizes available)

107.335



Sieve reflector, push-fit, Ø 150 mm
(Other sizes available)

141.723



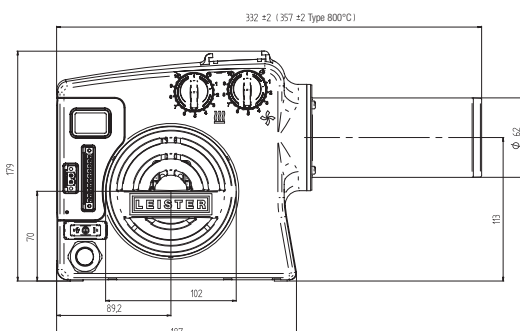
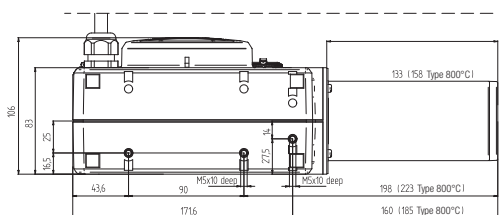
Handtool-Kit
(Handle and protective tube)

106.956



Thermocouple with plug,
1 m cable

Installation dimensions in mm



Application as a handheld or table unit
with handle and protective tube.



We are local. Worldwide.

Europe:	Greece	Slovakia	America:	Africa:	Middle East:	Asia Pacific:	Oceania:
Austria	Hungary	Slovenia	Canada	Algeria	U.A.E.	P.R.China	Australia
Belarus	Ireland	Spain	Mexico	Egypt	Saudi Arabia	Hong Kong	New Zealand
Belgium	Iceland	Sweden	USA	Kenya	Qatar	India	
Bulgaria	Italy	Switzerland	Argentina	Morocco	Iran	Indonesia	
Croatia	Latvia	Turkey	Brazil	South Africa		Japan	
Cyprus	Lithuania	Ukraine	Chile	Tunisia		Korea	
Czech Republic	Netherlands		Columbia			Malaysia	
Estonia	Norway		Costa Rica			Philippines	
Denmark	Poland		Ecuador			Singapore	
Finland	Portugal		Venezuela			Taiwan	
France	Romania		Peru			Thailand	
Germany	Russia					Vietnam	
Great Britain	Serbia						



email:cmc@cmc.pt web:www.cmc.pt