

09

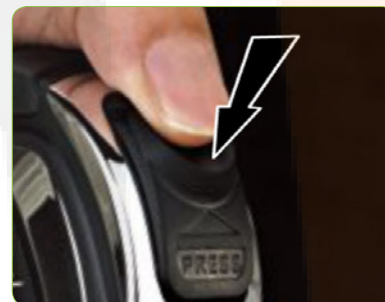
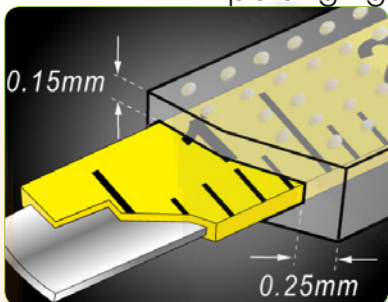
MEASURING TOOLS



Choice the right tape for your need:

Blade width 	Horizontal stand-out 	Vertical stand-out 	Back side Vertical stand-out
16mm	1.5m	2.1m	
19mm	1.8m	2.6m	3.5m
25mm	2.3m	3.6m	5.8m
27mm	2.9m	4.6m	6.8m

NILYON COATED BLADE combined with high performance nylon and special coating process, the nylon coating covers the entire blade surface ensuring its abraion resistance, anti-corrosion and polonging its durability



EASY release brake

Measuring tape with ABS case and nylon-coated stell blade

CLASS II



CODE	L/mt.	TAPE
FG 44/MT3	3	16mm
FG 44/MT5	5	25mm
FG 44/MT8	8	25mm
FG 44/MT10	10	25mm

Measuring tape with ABS case and nylon-coated stell blade

CLASSE II

CODE	L/mt.	TAPE
FG 43/MT3	3	16mm
FG 43/MT5	5	19mm



Measuring rule with ABS case and fiber glass tape

CLASSE III

CODE	L/mt.	
FG 45/MT10	10	
FG 45/MT20	20	



Folding ruler made in fiberglass

Precision class II

- EGRAVED SCALE
- DOUBLE SPRING JOINT
- STOP AT 90°
- NO CONDUCTIVE, WASHABLE

CODE	L/mt.	
FG 46/FR2	2	



Simple precision square unhardened

DIN 875/0

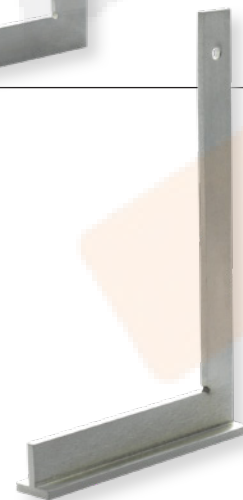
CODICE	mm	
FG 81/S1	100x70	
FG 81/S2	150x100	
FG 81/S3	200x130	
FG 81/S4	250x165	
FG 81/S5	300x200	



Flanged precision square unhardened

DIN 875/0

CODICE	mm	
FG 81/C1	100x70	
FG 81/C2	150x100	
FG 81/C3	200x130	
FG 81/C4	250x165	
FG 81/C5	300x200	



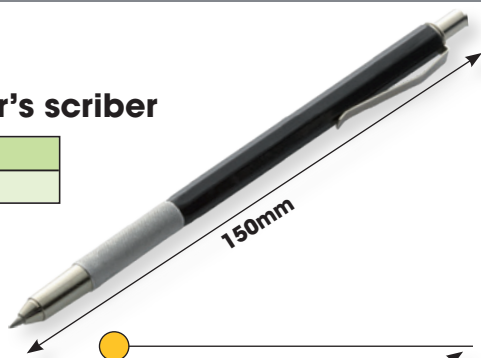
Spirit magnetic level with 3 infrangible vials

CODE	mm	
FG 94/300	300	
FG 94/400	400	
FG 94/600	600	
FG 94/800	800	
FG 94/1000	1000	

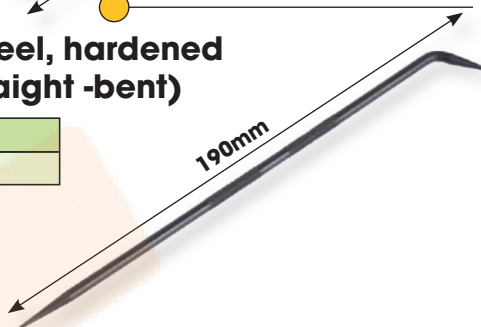


Engineer's scriber

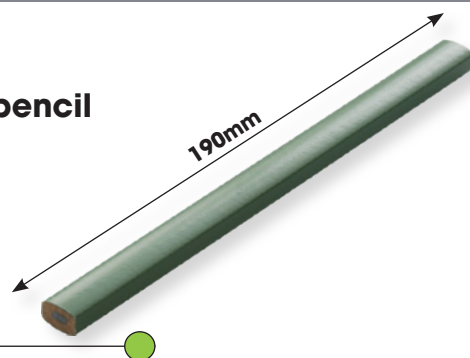
CODE	
FG 81/PT1	

**Black steel, hardened tips (straight -bent)**

CODE	
FG 81/PT2	

**Professional pencil**

CODE	
FG 81/MS	

**Screw pitch gauge**

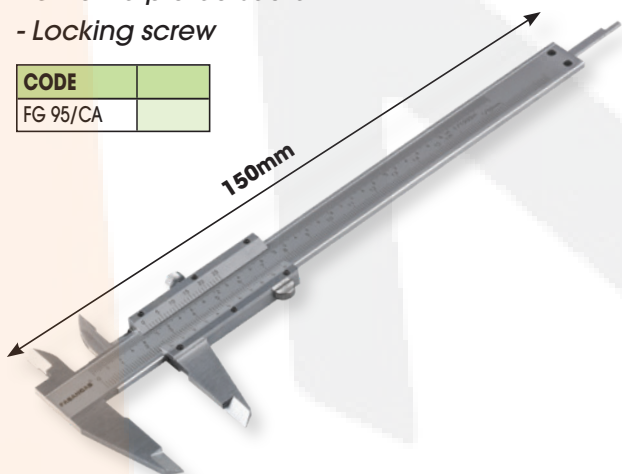
- Metric threads ISO α 60°: 0.25-6 a
- Metric threads Whitworth α 55°: 4-62

CODE	
FG 95/CF	

**Professional caliper reading to 0.02 Mm**

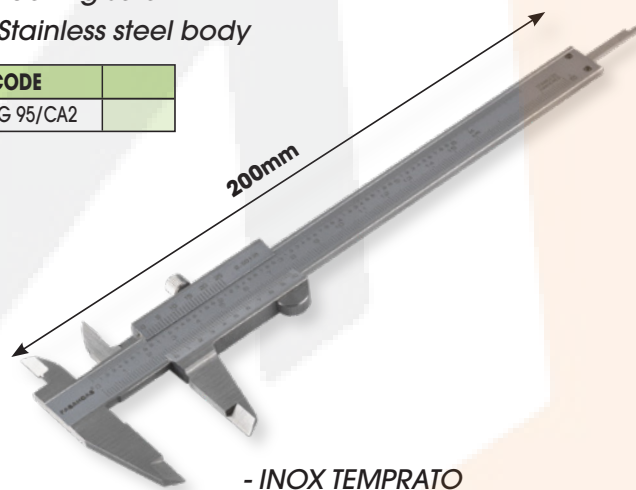
- Chrome plated scale
- Locking screw

CODE	
FG 95/CA	

**Professional caliper reading to 0.02 Mm**

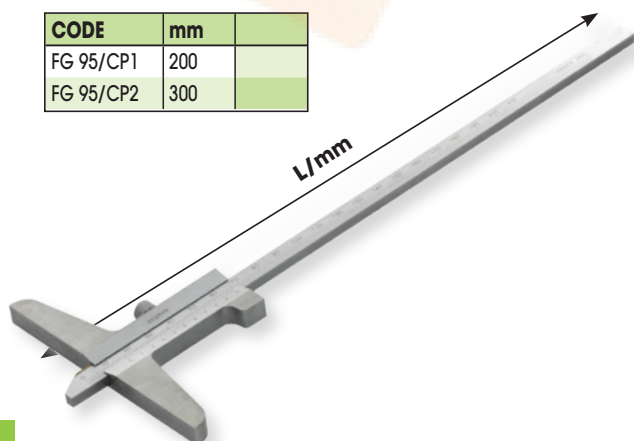
- Chrome plated scale
- Locking screw
- Stainless steel body

CODE	
FG 95/CA2	

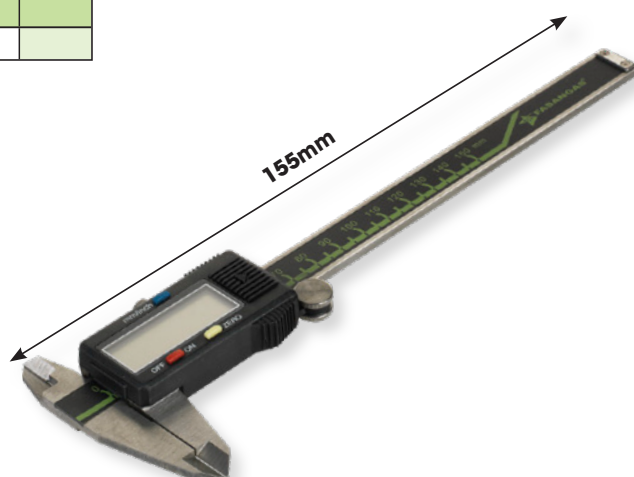
**Professional depth caliper, reading to 0.02 Mm**

- Chrome plated scale
- Locking screw
- Stainless steel body

CODE	mm	
FG 95/CP1	200	
FG 95/CP2	300	

**Professional digital caliper reading to 0.01 Mm**

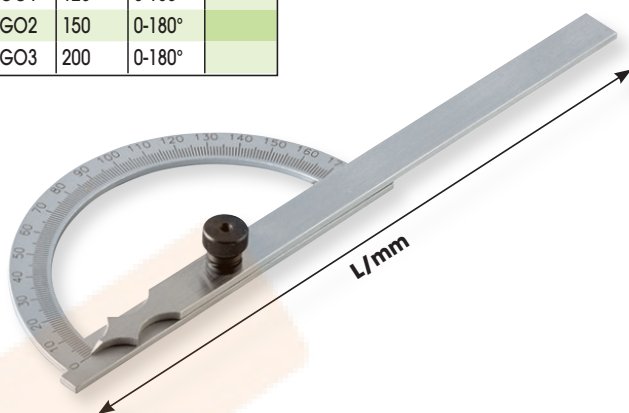
CODE	
FG 95/DG	



Protractor

- Anti-reflective reading scale
- Screw locking
- Resolution 1 °

CODE	mm	SCALA	
FG 95/GO1	120	0-180°	
FG 95/GO2	150	0-180°	
FG 95/GO3	200	0-180°	



Micrometers

- Carbide steel tips
- Ø 6.5mm
- Plated frame

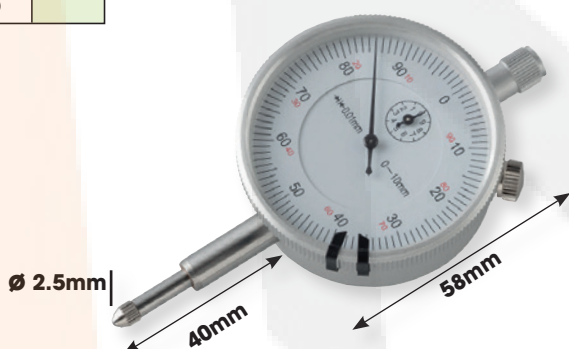
CODE	Ø/mm	Resolution	
FG 95/M1	0-25	0,01	
FG 95/M2	25-50	0,01	
FG 95/M3	50-75	0,01	
FG 95/M4	75-100	0,01	



Dial gauge

- Rack rod in hardened stainless steel
- Rotating dial with adjustable tolerance indexes
- Upper screw for manual reset

CODE	
FG 95/CO	



Magnetic base for dial gauge

- Magnetic adhesion force: 600N
- Comparator connection Ø 6-8mm
- Revolving rod length: 150mm

CODE	
FG 95/CO	



Digital infrared thermometer

CODE	
FG 97/T1	
FG 97/T2	



TECHNICAL FEATURES	FG 97/T1	FG 97/T2
Range of measuring	-32°C ~ 760°C / -25°F ~ 1.400°F	-32°C ~ 1.650°C / -25°F ~ 3.002°F
Scale	°C / °F	°C / °F
Accuracy (TA = 25°C / 77°F)	± 3°C (± 5°F) da -32°C ~ -20°C (-25°F ~ -4°F) ± 2°C (± 3°F) da -20°C ~ -100°C (-4°F ~ -212°F) ± 2% over 100°C (212°F)	
Laser	< 1mW	
Reply	0.5 sec	
Emissivity	0.1 ~ 1.0 adjustable	
Distance ratio	12:1	50:1
Operating temperature	0°C ~ 75°C / 32°F ~ 122°F	
Operating humidity	0% ~ 90% RH	
Backlit LCD display	Si	
Auto power off	Yes after 6 seconds	
Memory function	Yes up to 10 different recordings	
Battery	1pc 9V battery (included)	
Case	nylon	ABS
Dimension and weight	180x130x40 mm / 195g.	200x166x51mm / 280g.

