

# 01

---

## WRENCHES

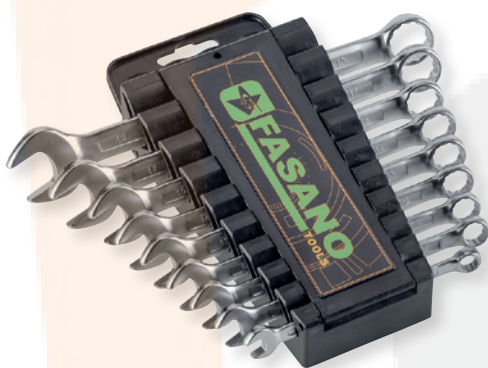
## Combination wrenches 12PT

- DIN 3113



CODE	mm	L/mm	
FG 600/B5.5	5.5	105	
FG 600/B6	6	105	
FG 600/B7	7	115	
FG 600/B8	8	125	
FG 600/B9	9	135	
FG 600/B10	10	145	
FG 600/B11	11	155	
FG 600/B12	12	165	
FG 600/B13	13	175	
FG 600/B14	14	185	
FG 600/B15	15	195	
FG 600/B16	16	205	
FG 600/B17	17	215	
FG 600/B18	18	225	
FG 600/B19	19	235	
FG 600/B20	20	245	
FG 600/B21	21	255	
FG 600/B22	22	265	
FG 600/B23	23	275	
FG 600/B24	24	285	

CODE	mm	L/mm	
FG 600/B25	25	295	
FG 600/B26	26	305	
FG 600/B27	27	315	
FG 600/B28	28	325	
FG 600/B29	29	335	
FG 600/B30	30	345	
FG 600/B32	32	365	
FG 600/B34	34	380	
FG 600/B36	36	410	
FG 600/B38	38	430	
FG 600/B41	41	460	
FG 600/B46	46	500	
FG 600/B50	50	540	
FG 600/B55	55	560	
FG 600/B60	60	600	
FG 600/B65	65	680	
FG 600/B70	70	680	
FG 600/B75	75	730	
FG 600/B80	80	730	



Set of combination wrenches with plastic holder

CODE	Pz	CONTENT	
FG 600/ST7	7	8,10,11,13,14,17,19 mm	
FG 600/ST9	9	8,10,11,12,13,14,15,17,19 mm	
FG 600/ST11	11	8,9,10,11,12,13,14,15,16,17,19 mm	



Set of combination wrenches in nylon pouch

CODE	Pz	CONTENT	
FG 600/SP6	6	8,10,13,14,17,19 mm	
FG 600/SP9	9	8,10,11,12,13,14,15,17,19 mm	
FG 600/SP11	11	8,9,10,11,12,13,14,15,16,17,19 mm	



Set of combination wrenches in carton box

CODE	Pz	CONTENT	
FG 600/SC17	17	6,7,8,9,10,11,12,13,14,15,16,17,18,19,20,21,22 mm	
FG 600/SC16	16	6,7,8,10,12,13,14,16,17,19,21,22,24,27,30,32mm	
FG 600/SC25	25	6,7,8,9,10,11,12,13,14,15,16,17,18,19,20,21,22,23,24,25,26,27,28,30,32 mm	

Chiave combinata poligonale extra lunghe  
- DIN 3113

CODE	mm	L/mm	
FG 600/L10	10	207	
FG 600/L11	11	225	
FG 600/L12	12	243	
FG 600/L13	13	260	
FG 600/L14	14	280	

CODE	mm	L/mm	
FG 600/L15	15	297	
FG 600/L16	16	315	
FG 600/L17	17	333	
FG 600/L18	18	340	
FG 600/L19	19	350	



Set of combination wrenches in carton box

CODE	Pz	CONTENT	
FG 600L/SC10	10	10, 11, 12, 13, 14, 15, 16, 17, 18, 19 mm	

## Chiave combinata poligonale in pollici

- DIN 3113



CODE	Pollici	L/mm	CODE	Pollici	L/mm
FG 600/IN1	1/4"	105	FG 600/IN11	7/8"	265
FG 600/IN2	5/16"	125	FG 600/IN12	15/16"	285
FG 600/IN3	3/8"	145	FG 600/IN13	1"	295
FG 600/IN4	7/16"	155	FG 600/IN14	1.1/16"	315
FG 600/IN5	1/2"	175	FG 600/IN15	1.1/8"	335
FG 600/IN6	9/16"	185	FG 600/IN16	1.1/4"	365
FG 600/IN7	5/8"	205	FG 600/IN17	1.5/16"	380
FG 600/IN8	11/16"	215	FG 600/IN18	1.3/8"	410
FG 600/IN9	3/4"	235	FG 600/IN19	1.7/16"	410
FG 600/IN10	13/16"	255	FG 600/IN20	1.1/2"	430



### Set of combination wrenches in carton box

CODE	Pz	CONTENT
FG 600IN/SC13	13	1/4", 5/16", 3/8", 7/16", 1/2", 9/16", 5/8", 11/16", 3/4", 13/16", 7/8", 15/16", 1"



### Set of combination wrenches in nylon pouch

CODE	Pz	CONTENT
FG 600IN/SP6	6	1/4", 5/16", 7/16", 1/2", 9/16", 11/16"
FG 600IN/SP9	9	1/4", 5/16", 3/8", 7/16", 1/2", 9/16", 5/8", 11/16", 3/4"
FG 600IN/SP11	11	1/4", 5/16", 3/8", 7/16", 1/2", 9/16", 5/8", 11/16", 3/4", 13/16", 1"

## Chiave a forchetta semplice

- DIN 894



CODE	mm	L/mm	CODE	mm	L/mm
FG 601/B10	10	120	FG 601/B27	27	215
FG 601/B11	11	120	FG 601/B28	28	240
FG 601/B12	12	120	FG 601/B30	30	240
FG 601/B13	13	145	FG 601/B32	32	270
FG 601/B14	14	145	FG 601/B34	34	270
FG 601/B15	15	145	FG 601/B35	35	296
FG 601/B16	16	160	FG 601/B36	36	296
FG 601/B17	17	160	FG 601/B38	38	296
FG 601/B18	18	160	FG 601/B41	41	335
FG 601/B19	19	175	FG 601/B46	46	370
FG 601/B20	20	175	FG 601/B50	50	410
FG 601/B21	21	175	FG 601/B55	55	488
FG 601/B22	22	195	FG 601/B60	60	488
FG 601/B23	23	195	FG 601/B65	65	488
FG 601/B24	24	195	FG 601/B70	70	595
FG 601/B25	25	215	FG 601/B75	75	595
FG 601/B26	26	215	FG 601/B80	80	595





### Double open end wrenches - DIN 3110

CODE	mm	L/mm	
FG 602/B6x7	6x7	123	
FG 602/B8x9	8x9	140	
FG 602/B8X10	8x10	140	
FG 602/B10X11	10x11	156	
FG 602/B12X13	12x13	172	
FG 602/B14X15	14x15	190	
FG 602/B16X17	16x17	204	
FG 602/B18X19	18x19	221	
FG 602/B20X22	20x22	237	
FG 602/B21X23	21x23	247	

CODE	mm	L/mm	
FG 602/B22X24	22x24	247	
FG 602/B24X26	24x26	255	
FG 602/B25X28	25x28	279	
FG 602/B27X29	27x29	279	
FG 602/B30X32	30x32	298	
FG 602/B34X36	34x36	350	
FG 602/B35X38	35x38	350	
FG 602/B36X41	36x41	380	
FG 602/B41X46	41x46	415	
FG 602/B46X50	46x50	465	



Set of double open end wrenches with plastic holder

CODE	Pz	CONTENT	
FG 602/ST7	7	6x7, 8x9, 10x11, 12x13, 14x15, 16x17, 18x19mm	
FG 602/ST9	9	6x7, 8x9, 10x11, 12x13, 14x15, 16x17, 18x19, 20x22, 21x23	



Set of double open end wrenches with nylon pouch

CODE	Pz	CONTENT	
FG 602/SP6	6	6x7, 8x9, 10x11, 12x13, 14x15, 16x17	
FG 602/SP9	9	6x7, 8x9, 10x11, 12x13, 14x15, 16x17, 18x19, 20x22, 21x23	
FG 602/SP13	13	6x7, 8x9, 10x11, 12x13, 14x15, 16x17, 18x19, 20x22, 21x23, 24x26, 25x28, 27x29, 30x32	



Set of double open end wrenches in carton box

CODE	Pz	CONTENT	
FG 602/SC8	8	6x7, 8x9, 10x11, 12x13, 14x15, 16x17, 18x19, 20x22 mm	
FG 602/SC13	13	6x7, 8x9, 10x11, 12x13, 14x15, 16x17, 18x19, 20x22, 21x23, 24x26, 25x28, 27x29, 30x32 mm	



### Double open end wrenches inch version - DIN 3110

CODE	SIZE	L/mm	
FG 602/IN1	5/16 x 3/8	140	
FG 602/IN2	3/8 x 7/16	156	
FG 602/IN3	7/16 x 1/2	172	
FG 602/IN4	1/2 x 9/16	180	
FG 602/IN5	9/16 x 5/8	190	
FG 602/IN6	5/8 x 11/16	204	

CODE	SIZE	L/mm	
FG 602/IN7	11/16 x 3/4	221	
FG 602/IN8	3/4 x 7/8	255	
FG 602/IN9	15/16 x 1	255	
FG 602/IN10	1 x 1.1/8	279	
FG 602/IN11	1.1/8 x 1.1/4	298	



Set of double open end wrenches with nylon pouch

CODE	Pc	CONTENT	
FG 602IN/SP9	9	5/16x3/8, 3/8x7/16, 7/16X1/2, 1/2x9/16, 5/8x11/16, 3/4x7/8, 15/16X1, 1X1.1/8, 1/8X1.1/4 (IN1, IN2, IN3, IN4, IN6, IN8, IN9, IN10, IN11)	



## Double open end wrenches - ultra slim model

CODE	mm	L/mm	
FG 602/C6x7	6x7	145	
FG 602/C8x9	8x9	171	
FG 602/C10x11	10x11	171	
FG 602/C12x13	12x13	205	
FG 602/C14x15	14x15	205	
FG 602/C16x17	16x17	246	
FG 602/C18x19	18x19	265	
FG 602/C20x22	20x22	283	
FG 602/C21x23	21x23	283	



## Set of double open end wrenches with nylon pouch

CODE	Pz	CONTENT	
FG 602C/SP6	6	6x7,8x9,x10x11,x12x13,14x15,16x17	
FG 602C/SP9	9	6x7,8x9,x10x11,x12x13,14x15,16x17,18x19,20x22,21x23	

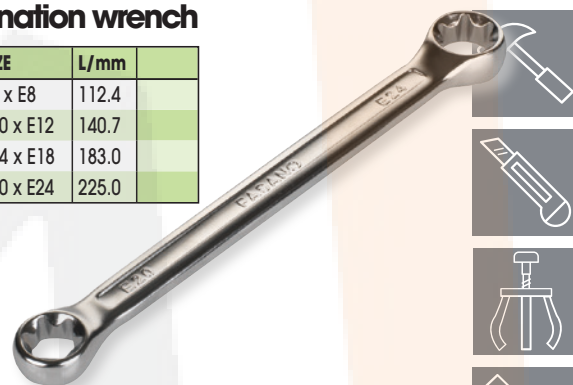


## Double end box wrenches

CODE	mm		CODE	mm	
FG 609/A8x10	8x10		FG 609/A15x17	15x17	
FG 609/A10x12	10x12		FG 609/A16x18	16x18	
FG 609/A11x13	11x13		FG 609/A19x22	19x22	
FG 609/A14x17	14x17				

## Torx combination wrench

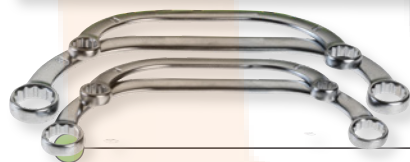
CODE	SIZE	L/mm	
FG 600/E6x8	E6 x E8	112.4	
FG 600/E10x12	E10 x E12	140.7	
FG 600/E14x18	E14 x E18	183.0	
FG 600/E20x24	E20 x E24	225.0	



## Set of 5 double end box wrenches

CODE	
FG 609A/S5	77,30

10x12, 11x13,  
14x17, 16x18, 19x22



## Set of 4 Torx wrenches

CODE	
FG 100/03TX	56,00

E6xE8, E10xE12,  
E14xE18, E20xE24



## Double combination wrenches - DIN 838

CODE	mm	L/mm	
FG 615/B6x7	6x7	172	
FG 615/B8x9	8x9	185	
FG 615/B10x11	10x11	202	
FG 615/B12x13	12x13	220	
FG 615/B14x15	14x15	245	
FG 615/B16x17	16x17	265	
FG 615/B18x19	18x19	295	
FG 615/B20x22	20x22	325	

CODE	mm	L/mm	
FG 615/B21x23	21x23	335	
FG 615/B24x26	24x26	350	
FG 615/B24x27	24x27	355	
FG 615/B25x28	25x28	360	
FG 615/B27x29	27x29	380	
FG 615/B30x32	30x32	380	
FG 615/B34x36	34x36	355	
FG 615/B36x41	36x41	360	
FG 615/B46x50	46x50	380	

## Set of double combination wrenches

CODE	Pz	CONTENT	
FG 615/SC8	8	6x7, 8x9, 10x11, 12x13, 14x15, 16x17, 18x19, 20x22 mm	
FG 615/SC13	13	6x7, 8x9, 10x11, 12x13, 14x15, 16x17, 18x19, 20x22, 21x23, 24x26, 25x28, 27x29, 30x32 mm	





### Flare nut wrenches - DIN 3118

CODE	mm	L/mm	
FG 180/A6x8	6x8	139	
FG 180/A8x10	8x10	143	
FG 180/A9x11	9x11	150	
FG 180/A10x11	10x11	152	
FG 180/A11x13	11x13	165	
FG 180/A12x14	12x14	177	
FG 180/A13x14	13x14	175	
FG 180/B14x15	14x15	195	

CODE	mm	A/mm	L/mm	
FG 180/B14X17	14x17	29.9	195	
FG 180/B17X19	17x19	32.9	210	
FG 180/B19X22	19x22	38.4	232	
FG 180/B22X24	22x24	41.3	250	
FG 180/B24x27	24x27	45.6	260	
FG 180/B30x32	30x32	50.6	280	
FG 180/B36X41	36x41	57.9	345	



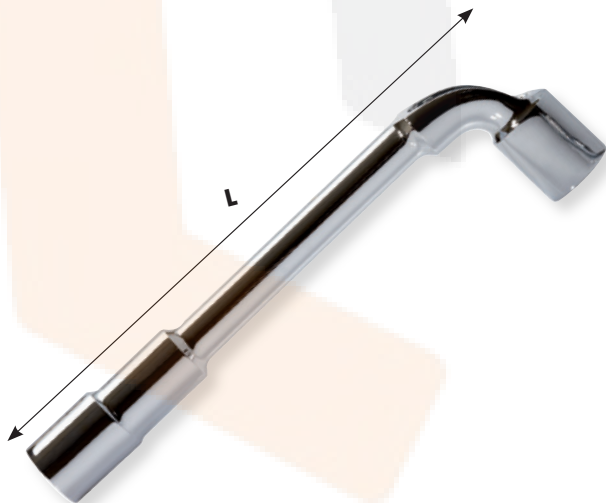
### Flare nut wrenches inch version- DIN 3118

CODE	inch	L/mm	
FG 180/IN1	1/4" x 5/16"	133	
FG 180/IN2	5/16" x 3/8"	143	
FG 180/IN3	3/8" x 7/16"	150	
FG 180/IN4	1/2" x 9/16"	175	
FG 180/IN5	5/8" x 11/16"	193	
FG 180/IN6	3/4" x 7/8"	232	
FG 180/IN7	7/8" x 1"	250	



### Set of flare nut wrenches in nylon pouch

CODE	Pz	CONTENT	
FG 180/SP6	6	8x10, 10x11, 11x13, 12x14, 17x19, 19x22	
FG 180/SP9	9	8x10, 9x11, 10x11, 11x13, 12x14, 17x19, 19x22, 24x27, 30x32	
FG 180/SP7IN	7	1/4"x5/16", 5/16"x3/8", 3/8"x7/16", 1/2"x9/16", 5/8"x11/16", 3/4"x7/8", 7/8"x1"	



### Pipe wrenches 6PTx12PT - DIN 3118

CODE	mm	L/mm	
FG 613/A6	6	113.0	
FG 613/A7	7	122.0	
FG 613/A8	8	126.0	
FG 613/A9	9	131.0	
FG 613/A10	10	140.0	
FG 613/A11	11	150.0	
FG 613/A12	12	155.0	
FG 613/A13	13	165.0	
FG 613/A14	14	180.0	
FG 613/A15	15	193.0	
FG 613/A16	16	204.0	
FG 613/A17	17	209.0	
FG 613/A18	18	225.0	

CODE	mm	L/mm	
FG 613/A19	19	230.0	
FG 613/A20	20	235.0	
FG 613/A21	21	249.0	
FG 613/A22	22	266.0	
FG 613/A23	23	268.0	
FG 613/A24	24	288.0	
FG 613/A25	25	297.0	
FG 613/A26	26	311.0	
FG 613/A27	27	315.0	
FG 613/A28	28	332.0	
FG 613/A29	29	351.0	
FG 613/A30	30	362.0	
FG 613/A32	32	385.0	



### Set of pipe wrenches in carton box

CODE	Pz	CONTENT	
FG 613/S9	9	8, 10, 11, 12, 13, 15, 17, 18, 19 mm	
FG 613/S11	11	6, 7, 8, 10, 11, 12, 13, 14, 17, 19, 22mm	
FG 613/S17	17	6, 7, 8, 9, 10, 11, 12, 13, 14, 15, 16, 17, 18, 19, 20, 21, 22mm	

## Tube wrench, heavy duty model

CODE	mm	L/mm		CODE	mm	L/mm	
FG 614/A6x7	6x7	106		FG 614/A20x22	20x22	175	
FG 614/A8x9	8x9	108		FG 614/A21x23	21x23	186	
FG 614/A10x11	10x11	122		FG 614/A24x26	24x26	195	
FG 614/A12x13	12x13	138		FG 614/A25x28	25x28	207	
FG 614/A14x15	14x15	148		FG 614/A27x29	27x29	209	
FG 614/A16x17	16x17	157		FG 614/A30x32	30x32	209	
FG 614/A18x19	18x19	165					

### Set of tube wrenches in carton box

CODE	Pz	CONTENT	
FG 614A/S8	8	6x7,8x9,10x11,12x13,14x15,16x17,18x19,20x22	
FG 614A/S13	13	6x7,8x9,10x11,12x13,14x15,16x17,18x19,20x22,21x23,24x26,25x28,27x29,30x32	

### Pins for tube wrenches

CODE	mm	
FG 614/AS1	6-13mm	
FG 614/AS2	14-22mm	
FG 614/AS3	21-32mm	



## Tube wrench, light model

CODE	mm	L/mm		CODE	mm	L/mm	
FG 614/B6x7	6x7	110		FG 614/B20x22	20x22	170	
FG 614/B8x9	8x9	113		FG 614/B21x23	21x23	172	
FG 614/B10x11	10x11	122		FG 614/B24x26	24x26	189	
FG 614/B12x13	12x13	142		FG 614/B25x28	25x28	200	
FG 614/B14x15	14x15	142		FG 614/B27x29	27x29	200	
FG 614/B16x17	16x17	154		FG 614/B30x32	30x32	202	
FG 614/B18x19	18x19	161					

### Set of tube wrenches in carton box

CODE	Pz	CONTENT	
FG 614B/S8	8	6x7,8x9,10x11,12x13,14x15,16x17,18x19,20x22	
FG 614B/S13	13	6x7,8x9,10x11,12x13,14x15,16x17,18x19,20x22,21x23,24x26,25x28,27x29,30x32	

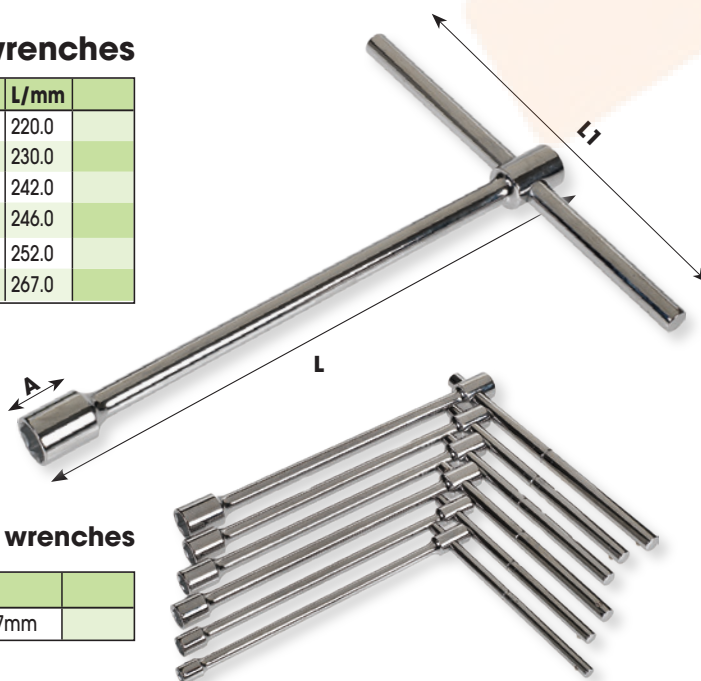


## T-handle wrenches

CODE	mm	A/mm	L1/mm	L/mm	
FG 616/A8	8	10.0	160.0	220.0	
FG 616/A10	10	12.0	160.0	230.0	
FG 616/A12	12	15.0	175.0	242.0	
FG 616/A13	13	18.0	175.0	246.0	
FG 616/A14	14	19.0	190.0	252.0	
FG 616/A17	17	23.0	220.0	267.0	

### Set of T-Handle wrenches

CODE	Pz	CONTENT	
FG 616A/S6	6	8, 10, 12, 13, 14, 17mm	





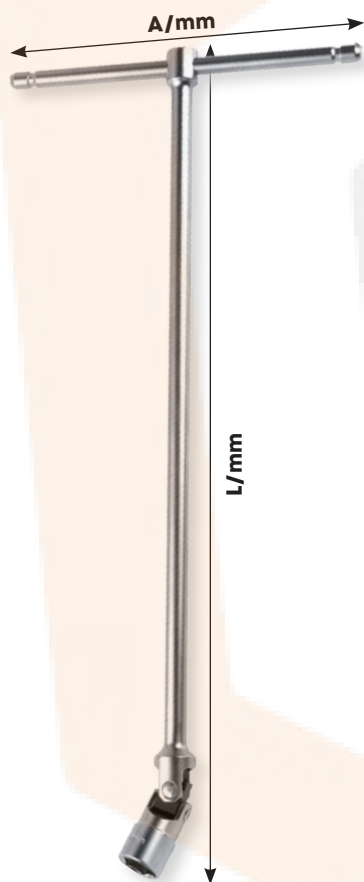
### T-Handle wrenches

CODE	mm	A/mm	L1/mm	L/mm
FG 616/B6	6	13.0	141	218
FG 616/B7	7	13.0	141	218
FG 616/B8	8	13.0	141	237
FG 616/B9	9	14.0	142	263
FG 616/B10	10	14.0	166	263
FG 616/B11	11	16.0	166	263
FG 616/B12	12	14.0	166	263
FG 616/B13	13	19.1	166	263
FG 616/B14	14	17.0	166	289
FG 616/B15	15	18.0	201	289
FG 616/B16	16	22.0	201	289
FG 616/B17	17	22.0	201	289
FG 616/B18	18	22.0	201	312
FG 616/B19	19	20.0	201	312
FG 616/B21	21	24.0	251	313
FG 616/B22	22	25.0	253	313
FG 616/B24	24	26.0	301	317



### Set of T-Handle wrenches

CODE	Pz	CONTENT
FG 616/S10	10	6,7,8,10,11,12,13,14,17,19
FG 616/S14	14	6,7,8,9,10,11,12,13,14,15,16,17,19,22



### T-Handle wrenches with swivel joint socket

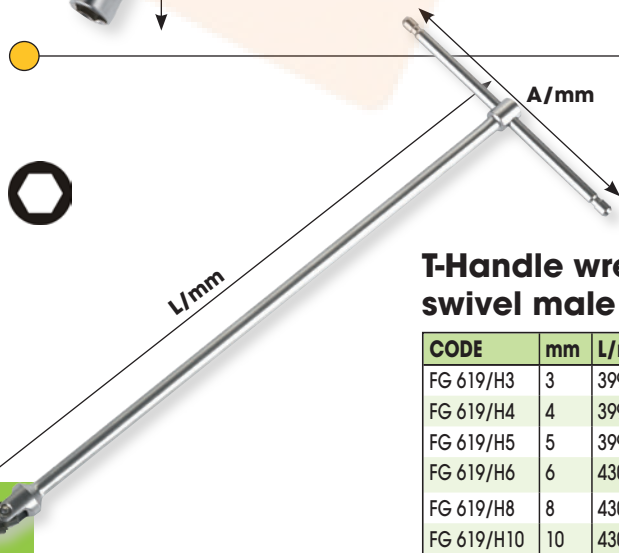
CODE	mm	L/mm	A/mm
FG 618/A6	6	396	146
FG 618/A7	7	397	146
FG 618/A8	8	397	146
FG 618/A9	9	397	146
FG 618/A10	10	403	160
FG 618/A11	11	403	160
FG 618/A12	12	403	160
FG 618/A13	13	431	175
FG 618/A14	14	431	175
FG 618/A15	15	448	200
FG 618/A16	16	448	200
FG 618/A17	17	448	200
FG 618/A18	18	448	200
FG 618/A19	19	501	230
FG 618/A20	20	501	230
FG 618/A21	21	501	230
FG 618/A22	22	501	230
FG 618/A23	23	501	230
FG 618/A24	24	501	230

**NEW MODEL WITH REINFORCED JOINT**



### Set of T-Handle wrenches with swivel joint socket

CODE	Pz	CONTENT
FG 618/S7B	7	7, 8, 10, 12, 13, 14, 17mm
FG 618/S7	7	8, 10, 11, 13, 14, 17, 19 mm
FG 618/S10	10	8, 10, 11, 12, 13, 14, 15, 16, 17, 19 mm
FG 618/S18	18	6,7,8,9,10,11,12,13,14,15, 16,17,18, 19,20,21,22,24 mm



### T-Handle wrenches with swivel male hex ends

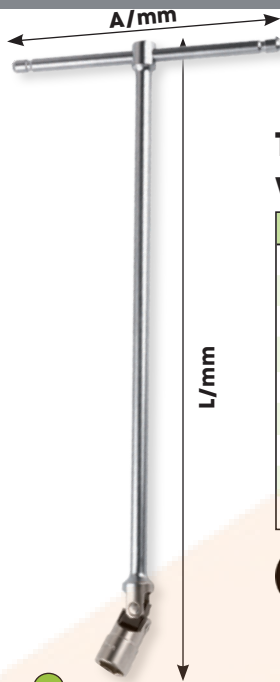
CODE	mm	L/mm	A/mm
FG 619/H3	3	399	146
FG 619/H4	4	399	146
FG 619/H5	5	399	146
FG 619/H6	6	430	175
FG 619/H8	8	430	175
FG 619/H10	10	430	175



### Set of T-Handle wrenches with swivel hex male ends

CODE	Pz	CONTENT
FG 619H/S5	5	3, 4, 5, 6, 8, mm
FG 619H/S6	6	3, 4, 5, 6, 8, 10 mm





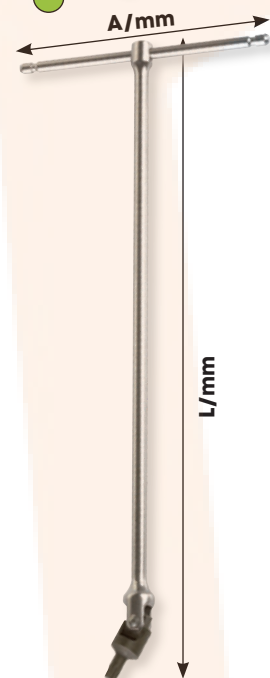
## T-Handle wrenches with swivel Torx socket

CODE	mm	L/mm	A/mm
FG 618/E6	E6	146.0	396.0
FG 618/E7	E7	146.0	396.0
FG 618/E8	E8	146.0	396.0
FG 618/E10	E10	146.0	396.0
FG 618/E12	E12	160.0	405.0
FG 618/E14	E14	160.0	405.0
FG 618/E16	E16	175.0	433.0
FG 618/E18	E18	200.0	449.0
FG 618/E20	E20	200.0	449.0



## Set of T-Handle wrenches with swivel joint socket

CODE	Pz	CONTENT
FG 618E/S9	9	E6, E7, E8, E9, E10, E12, E14, E16, E18, E20



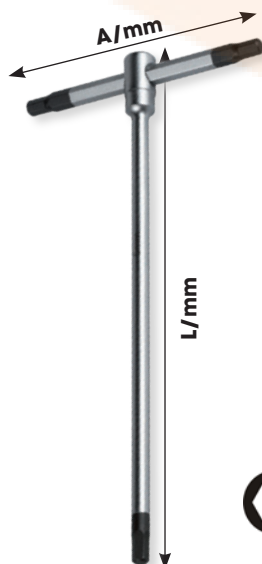
## T-Handle wrenches with swivel male Torx ends

CODE	mm	L/mm	A/mm
FG 619/TX20	TX20	399	146
FG 619/TX25	TX25	399	146
FG 619/TX27	TX27	399	146
FG 619/TX30	TX30	399	146
FG 619/TX40	TX40	412	160
FG 619/TX45	TX45	412	160
FG 619/TX50	TX50	437	175
FG 619/TX55	TX55	437	175



## Set of T-Handle wrenches with swivel Torx male ends

CODE	Pz	CONTENT
FG 619TX/S8	8	TX20, 25, 27, 30, 40, 45, 50, 55



## T-Handle wrench with 3 hex male ends - sliding rod

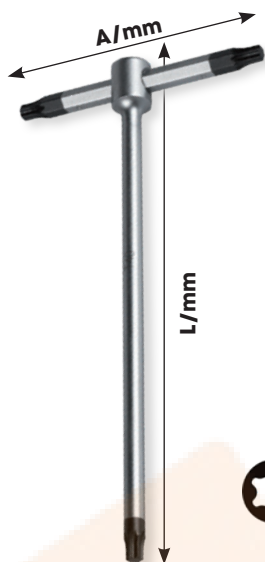
CODE	mm	L/mm	A/mm
FG 621/H2	2	125.0	62.0
FG 621/H2,5	2,5	125.0	62.0
FG 621/H3	3	126.0	62.0
FG 621/H3,5	3,5	127.0	64.0
FG 621/H4	4	185.0	90.0
FG 621/H4,5	4,5	181.0	85.0
FG 621/H5	5	185.0	90.0
FG 621/H6	6	210.0	100.0
FG 621/H7	7	212.0	105.0
FG 621/H8	8	252.0	121.0
FG 621/H9	9	300.0	145.0
FG 621/H10	10	302.0	150.0
FG 621/H12	12	322.0	166.0
FG 621/H14	14	344.0	172.0



## Set of T-Handle wrenches with 3 hex male ends

CODE	Pz	CONTENT
FG 621H/S8	8	2,2.5,3,3.5,4,5,6,8mm
FG 621H/S8B	8	2,2.5,3,3.5,4,4.5,5,6mm
FG 621H/S8C	8	2,2.5,3,4,5,6,8,10mm
FG 621H/S14	14	2,2.5,3,3.5,4,4.5,5,6,7,8,9,10,12,14mm





### T-Handle wrench with 3 Torx male ends

CODE	mm	L/mm	A/mm	
FG 621/TX6	6	127.0	65.0	
FG 621/TX7	7	127.0	65.0	
FG 621/TX8	8	127.0	65.0	
FG 621/TX9	9	125.0	65.0	
FG 621/TX10	10	127.0	65.0	
FG 621/TX15	15	127.0	65.0	
FG 621/TX20	20	127.0	65.0	
FG 621/TX25	25	185.0	90.0	
FG 621/TX27	27	185.0	90.0	
FG 621/TX30	30	185.0	90.0	
FG 621/TX40	40	213.0	105.0	
FG 621/TX45	45	212.0	107.0	
FG 621/TX50	50	215.0	107.0	



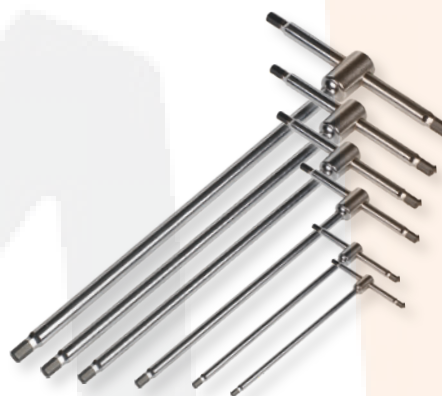
### Set of T-Handle wrenches with 3 Torx male ends

CODE	Pz	CONTENT	
FG 621TX/S8B	8	10, 15, 20, 25, 27, 30, 40, 45 TX	
FG 621TX/S13	13	6, 7, 8, 9, 10, 15, 20, 25, 27, 30, 40, 45, 50 TX	



### T-Handle wrench with 3 hex male ends - fixed rod

CODE	mm	L/mm	A/mm	
FG 622/H2	2	62.0	125.0	
FG 622/H2,5	2,5	62.0	125.0	
FG 622/H3	3	75.0	150.0	
FG 622/H3,5	3,5	75.0	150.0	
FG 622/H4	4	90.0	180.0	
FG 622/H4,5	4,5	90.0	180.0	
FG 622/H5	5	105.0	210.0	
FG 622/H6	6	105.0	210.0	
FG 622/H7	7	105.0	210.0	
FG 622/H8	8	125.0	250.0	
FG 622/H9	9	140.0	280.0	
FG 622/H10	10	150.0	300.0	
FG 622/H12	12	160.0	320.0	
FG 622/H14	14	170.0	340.0	



### Set of T-Handle wrenches with 3 hex male ends

CODE	Pz	CONTENT	
FG 622H/S6	6	2.5, 3, 4, 5, 6, 8mm	
FG 622H/S7	7	2.5, 3, 4, 5, 6, 8, 10mm	

### Hook wrench with square noses for ring nuts

CODE	Capacity	A/mm	L/mm	
FG 36/1	13 - 35 mm	4.96	168.0	
FG 36/2	35 - 50mm	5.94	214.0	
FG 36/3	50 - 80mm	7.65	280.0	
FG 36/4	80 - 120mm	8.60	342.0	
FG 36/5	120 - 180mm	10.75	480.0	



### Hook wrench with square noses for ring nuts

CODE	Capacity	A/mm	L/mm	
FG 38/1	16-18-20mm	2.0	108.0	
FG 38/2	22-25-28mm	2.5	135.0	
FG 38/3	30-32mm	2.5	135.0	
FG 38/4	34-36-38mm	3.0	170.0	
FG 38/5	40-42mm	3.0	170.0	
FG 38/6	45-50mm	3.5	206.0	
FG 38/7	52-55mm	3.5	206.0	
FG 38/8	58-62-65mm	4.0	241.0	
FG 38/9	68-70-75mm	4.0	241.0	
FG 38/10	80-85-90mm	5.0	280.0	
FG 38/11	92-95-100mm	5.0	280.0	
FG 38/12	110-115mm	5.0	334.0	
FG 38/13	120-130mm	5.0	334.0	
FG 38/14	135-145mm	6.0	385.0	
FG 38/15	155-165mm	6.0	385.0	
FG 38/16	180-195mm	6.0	466.0	



L

L

## Hook wrench with round noses for ring nuts



CODE	Capacity	A/mm	L/mm	€/Pz
FG 37/1	13 - 35 mm	2.74	168.0	
FG 37/2	35 - 50mm	3.77	210.0	
FG 37/3	50 - 80mm	4.77	280.0	
FG 37/4	80 - 120mm	5.74	348.0	
FG 37/5	120 - 180mm	7.76	495.0	

## Round noses for FG 37

CODE	€/Pz
FG 37/1R	
FG 37/2R	

CODE	€/Pz
FG 37/3R	
FG 37/4R	
FG 37/5R	

## Ring slogging wrenches - DIN 7444

CODE	mm	A/mm	L/mm
FG 604/A24	24	43.4	168
FG 604/A27	27	46.0	180
FG 604/A30	30	51.5	190
FG 604/A32	32	54.0	190
FG 604/A36	36	58.5	205
FG 604/A41	41	65.0	230
FG 604/A46	46	73.5	240
FG 604/A50	50	78.5	253
FG 604/A55	55	85.0	266
FG 604/A60	60	92.0	280
FG 604/A65	65	102.0	300
FG 604/A70	70	110.0	330
FG 604/A75	75	110.0	330

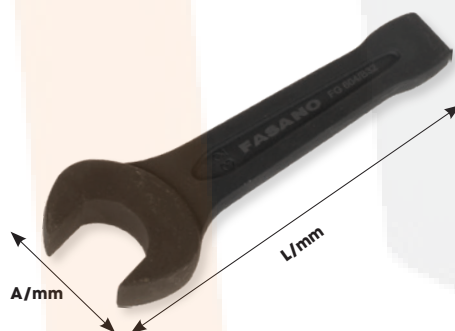
CODE	mm	A/mm	L/mm
FG 604/A80	80	118.0	340
FG 604/A85	85	130.0	355
FG 604/A90	90	142.0	390
FG 604/A95	95	142.0	390
FG 604/A100	100	155.0	420
FG 604/A105	105	155.0	420
FG 604/A110	110	168.0	450
FG 604/A115	115	168.0	450
FG 604/A120	120	182.0	480
FG 604/A125	125	182.0	480
FG 604/A130	130	194.0	510
FG 604/A135	135	194.0	510



## Open end slogging wrenches - DIN 3113

CODE	mm	A/mm	L/mm
FG 604/B24	24	56.0	180
FG 604/B27	27	56.0	180
FG 604/B30	30	62.0	190
FG 604/B32	32	62.0	190
FG 604/B36	36	76.0	215
FG 604/B41	41	86.0	235
FG 604/B46	46	98.0	255
FG 604/B50	50	105.0	275
FG 604/B55	55	116.0	300
FG 604/B60	60	128.0	320
FG 604/B65	65	138.0	342
FG 604/B70	70	154.0	375

CODE	mm	A/mm	L/mm
FG 604/B75	75	154.0	375
FG 604/B80	80	161.0	360
FG 604/B85	85	168.0	380
FG 604/B90	90	184.0	400
FG 604/B95	95	184.0	400
FG 604/B100	100	200.0	430
FG 604/B105	105	200.0	430
FG 604/B110	110	215.0	465
FG 604/B115	115	215.0	465
FG 604/B120	120	238.0	500
FG 604/B125	125	238.0	500



## Heavy duty offset ring wrenches

To be used with bars FG 624D/PR

**NEW**

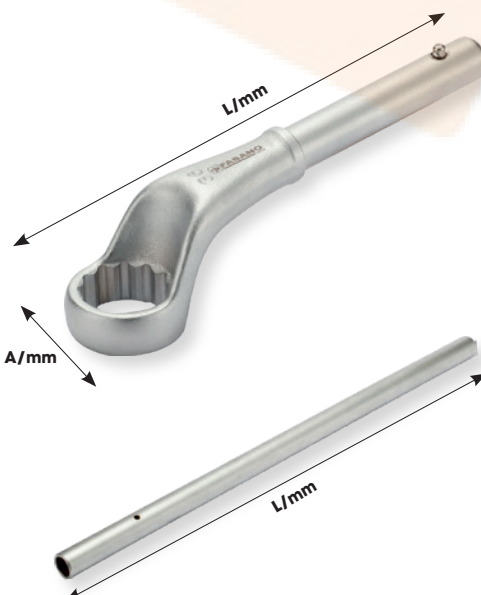
CODE	A/mm	L/mm
FG 604/D24	38	100
FG 604/D27	41	190
FG 604/D30	48	200
FG 604/D32	49	235
FG 604/D36	55	245
FG 604/D41	62	265
FG 604/D46	69	280
FG 604/D50	76	290
FG 604/D55	81	300

CODE	A/mm	L/mm
FG 604/D60	90	345
FG 604/D65	95	355
FG 604/D70	105	365
FG 604/D75	110	375
FG 604/D80	125	385
FG 604/D85	125	385
FG 604/D90	140	410
FG 604/D95	140	410
FG 604/D100	143	412

## Extension bar for FG 624/D

CODE	L/mm	⬡/mm
FG 604D/PR1	460	24/30
FG 604D/PR2	580	32/41
FG 604D/PR3	760	46/55
FG 604D/PR4	860	60/100

**NEW**



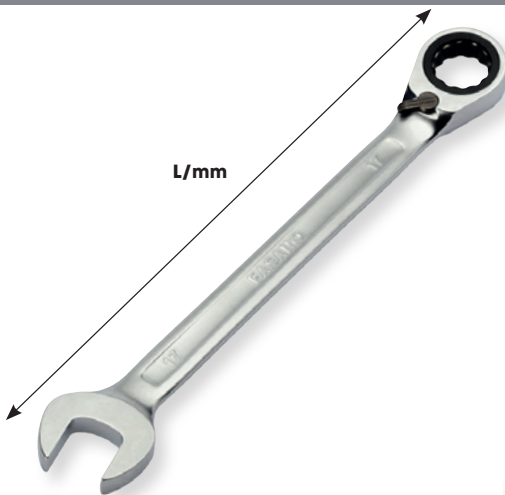
## Reversible gear wrench

Equipped with integrated steel ring that allows the bolt to hold



**NEW**

Inversion lever flush with the head and with tongue inclined downwards for greater maneuvering space



CODE	mm	L/mm	
FG 605/A6	6	128.0	
FG 605/A7	7	140.0	
FG 605/A8	8	140.0	
FG 605/A9	9	149.0	
FG 605/A10	10	158.0	
FG 605/A11	11	165.0	
FG 605/A12	12	171.0	
FG 605/A13	13	178.0	
FG 605/A14	14	190.0	
FG 605/A15	15	199.0	
FG 605/A16	16	208.0	
FG 605/A17	15	225.0	
FG 605/A18	18	236.0	
FG 605/A19	15	247.0	



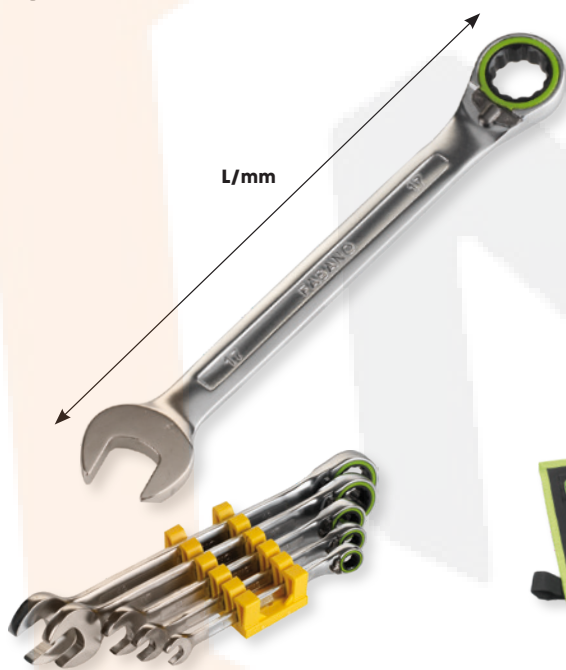
### Set of reversible gear wrenches on ABS holder

CODE	Pz	CONTENT	
FG 605/ST9-B	9	8,10,11,12,13,14,15,17,19mm	
FG 605/ST11-B	11	8,9,10,11,12,13,14,15,16,17,19mm	

## Reversible gear wrenches

CODE	mm	L/mm	
FG 605/B6	6	134.0	
FG 605/B7	7	158.0	
FG 605/B8	8	134.0	
FG 605/B9	9	158.0	
FG 605/B10	10	158.0	
FG 605/B11	11	164.0	
FG 605/B12	12	167.0	
FG 605/B13	13	177.0	
FG 605/B14	14	189.8	
FG 605/B15	15	198.0	

CODE	mm	L/mm	
FG 605/B16	16	204.0	
FG 605/B17	17	224.0	
FG 605/B18	18	235.4	
FG 605/B19	19	246.9	
FG 605/B21	21	280.0	
FG 605/B22	22	280.0	
FG 605/B24	24	310.0	
FG 605/B27	27	330.0	
FG 605/B30	30	425.0	
FG 605/B32	32	425.0	



### Set of reversible gear wrenches with plastic support

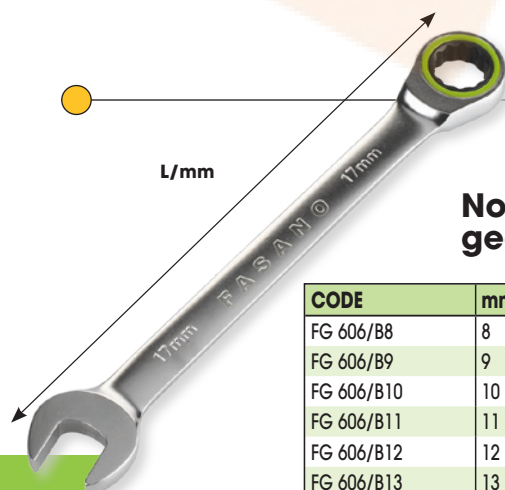
CODE	Pz	CONTENT	
FG 605/S5	5	8,10,13,17,19mm	

### Set of reversible gear wrenches in nylon box

CODE	Pz	CONTENT	
FG 605/SP6	6	8,10,13,14,17,19 mm	
FG 605/SP9	9	8,10,11,12,13,14,15,17,19 mm	
FG 605/SP11	11	8,9,10,11,12,13,14,15,16,17,19 mm	

### Set of reversible gear wrenches in carton box

CODE	Pz	CONTENT	
FG 605/SC12	12	8,9,10,11,12,13,14,15,16,17,18,19 mm	
FG 605/SC15	15	6,7,8,9,10,11,12,13,14,15,16,17,18,19,22mm	
FG 605/SC19	19	6,7,8,9,10,11,12,13,14,15,16,17,18,19,22,24,27,30,32 mm	



## No-reversible gear wrenches

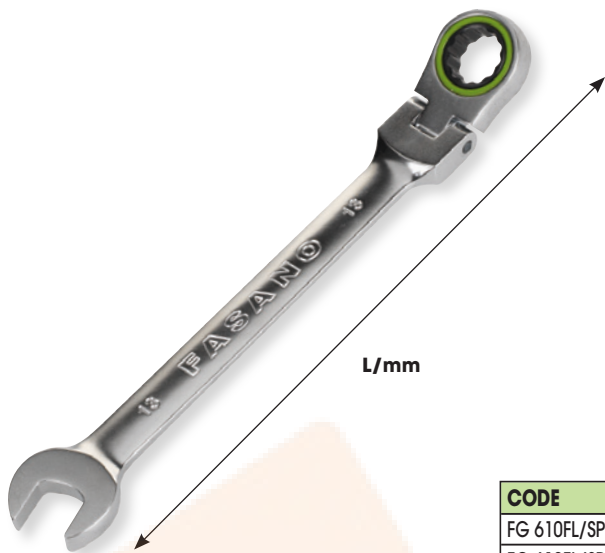
CODE	mm	L/mm	
FG 606/B8	8	134.4	
FG 606/B9	9	158.5	
FG 606/B10	10	158.5	
FG 606/B11	11	164.6	
FG 606/B12	12	167.7	
FG 606/B13	13	177.4	
FG 606/B14	14	189.8	

CODE	mm	L/mm	
FG 606/B15	15	198.4	
FG 606/B16	16	205.4	
FG 606/B17	17	224.4	
FG 606/B18	18	235.4	
FG 606/B19	19	246.9	



### Set of no-reversible gear wrenches in nylon box

CODE	Pz	CONTENT	
FG 606/SP6	6	8,10,13,14,17,19 mm	
FG 606/SP9	9	8,10,11,12,13,14,15,17,19 mm	



## Gear wrenches with flexible head

CODE	mm	L/mm	
FG 610/FL8	8	134	
FG 610/FL9	9	158	
FG 610/FL10	10	158	
FG 610/FL11	11	164	
FG 610/FL12	12	167	
FG 610/FL13	13	177	

CODE	mm	L/mm	
FG 610/FL14	14	189	
FG 610/FL15	15	198	
FG 610/FL16	16	204	
FG 610/FL17	17	224	
FG 610/FL18	18	235	
FG 610/FL19	19	245	

## Set of flexible gear wrenches in nylon box

CODE	Pz	CONTENT	
FG 610FL/SP6	6	8, 10, 13, 15, 17, 19 mm	
FG 610FL/SP9	9	8, 10, 12, 13, 15, 16, 17, 18, 19 mm	
FG 610FL/SP11	11	8, 10, 11, 12, 13, 14, 15, 16, 17, 18, 19 mm	



## Form of 5pcs Universal flexible gear wrenches

CODE	Pz	CONTENT	
FG 620A/S3	3	10, 13, 17mm	
FG 620A/S5	5	8, 10, 13, 14, 17mm	



## Set of 6pcs double universal gear wrenches - 90 teeth

CODE	Pz	CONTENT	
FG 615A/S6	6	8x9, 10x11, 12x13, 14x15, 16x18, 17x19mm	



## Form of 5pcs Universal flexible gear wrenches

CODE	Pz	CONTENT	
FG 617B/S5	5	8x10, 12x14, 13x15, 16x18, 17x19mm	



## Form of 5pcs Universal aluminum gear wrenches

CODE	Pz	CONTENT	
FG 617A/S7	7	8, 10, 12, 13, 14, 15, 17mm	



## Set of Universal double gear wrenches - extra-long series

CODE	Pz	CONTENT	
FG 622A/S6	6	8x9, 10x11, 12x13, 14x15, 16x18, 17x19 mm	
FG 622A/S2	2	21x22, 24x27 mm	



## Set 8 Twindrive gear wrenches

CODE	
FG 613	

8, 10, 11, 13, 14, 16, 17, 19 mm  
5/16, 3/8, 7/16, 9/16, 5/8, 11/16, 3/4"

